



# CM-330 Battery Powered Touchless Switches



BATTERY  
POWERED



LAZERPOINT RF™  
WIRELESS

## CM-330 APPLICATION

### Battery Powered

Ideal for door activation where installing wiring is difficult or expensive, and for instant replacement of non-powered switches in retrofit applications.

These switches offer the longest alkaline battery life of any switch in the market, with the option for lithium batteries.

The SureWave™ family of touchless switches by Camden lead the industry in performance, quality and value - with a range of features unmatched by any other on the market.

CM-330 touchless switches offer the longest battery life, up to 100 activations per day for 2 years, with an option for even longer battery life using lithium batteries.

SureWave™ CM-330 wireless switches are compatible with Camden's Lazerpoint RF™ family of 915Mhz. spread spectrum wireless products.



## SPECIFICATIONS

NO. OF IR SENSORS:	1
BATTERIES:	(2) 'AA' ALKALINE (SUPPLIED) (2) 'AA' LITHIUM BATTERIES (OPTIONAL)
ESTIMATED BATTERY LIFE:	2 YEARS (BASED ON 100 OPERATIONS/DAY)
LOW BATTERY ALARM:	YES
BATTERY TEST GAUGE:	YES
STANDARD OPERATING RANGE:	1" - 12" (25.4MM - 304MM)
OPERATING MODE:	MOMENTARY BUILT-IN 915MHZ. SPREAD SPECTRUM WIRELESS TRANSMITTER

## MODELS

<b>CM-330</b>	Battery Operated Wireless Touchless Switch (receiver required)
---------------	--

## OPTIONAL FACEPLATE MATERIAL (Supplied Black Polycarbonate Standard)

<b>S</b>	Stainless Steel Faceplate
----------	---------------------------

## OPTIONAL FACEPLATE SIZE (Supplied Single Gang Standard)



**Single Gang**  
Compatible surface  
mount box CM-34BL.



**/N - Narrow**  
Compatible narrow  
jamb surface mount  
box CM-23D.

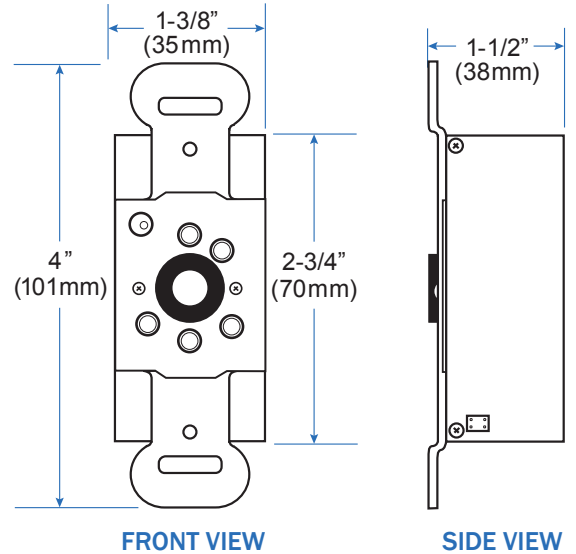


**/W - Double Gang**  
Compatible surface  
mounting box  
CM-43CBLA.



**/R - 6" Round**  
Stainless steel only.  
Indoor use only.  
Compatible semi-flush  
escutcheon, CM-79A.

## SWITCH DIMENSIONS



## OPTIONAL FACEPLATE GRAPHICS (Supplied Blank Standard)



/40



/41



/42



/43



/44

Add 'F' to graphic option for French language

## OPTIONAL RECEIVERS



**CM-RX90**

V2 Lazerpoint RF™ single relay receiver,  
12/24V AC/DC



**CM-RX92**

Lazerpoint RF™ dual relay receiver,  
12/24V AC/DC



For a complete list of all SureWave™ Touchless Switch Kits, please visit [www.camdencontrols.com](http://www.camdencontrols.com)



Opening New Doors to  
Innovation, Quality and Support!

5502 Timberlea Blvd. Mississauga, ON Canada L4W 2T7 • Toll Free: 1 877 226-3369 (CAMDEN9)  
Tel: (905) 366-3377 • Fax: (905) 366-3378 • E-mail: [info@camdencontrols.com](mailto:info@camdencontrols.com) • [www.camdencontrols.com](http://www.camdencontrols.com)



Certified ISO 9001:2015

FS 541762

Part #: MKTG-LIT-SP-CM-330